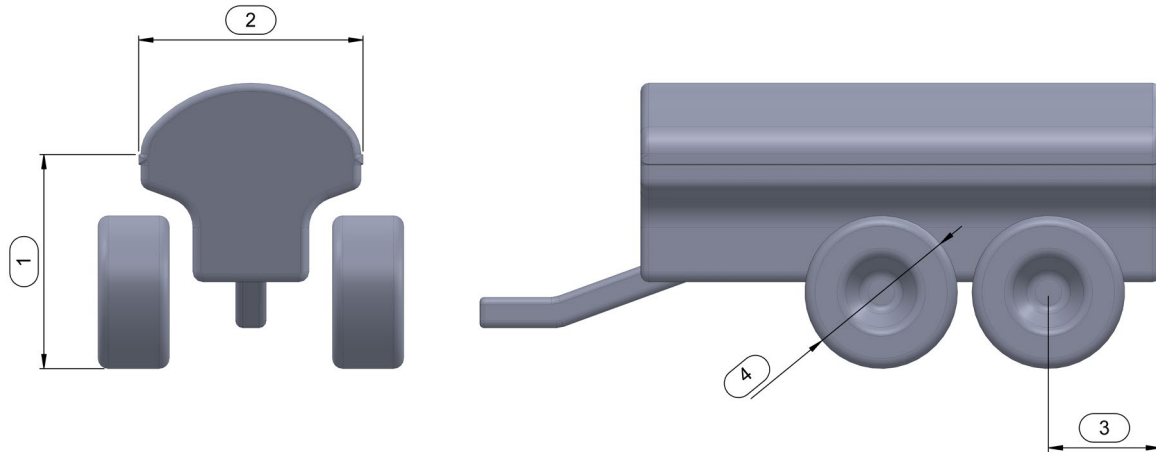


Order form for Schleppfix polyester tanker



Dimensions (tanker must be horizontal)

Item	Description	Measured dimensions	
1	Height to top of tanker join		mm
2	Width at tanker join		mm
3	Centre of rear axle to end of tanker body		mm
4	Wheel diameter		mm

Annex

Machine type	SFA7	SFA9			SFA12	
Nozzle diameter for distribution plate SFA7/SFA9	Ø47	Ø55	Ø63	Ø71	Ø79	Ø87
Nozzle diameter for distribution plate SFA12	Ø47/63		Ø55/71	Ø63/79	Ø71/87	
Hardox triangular share	SF.HDK	Yes			No	
DUOFIX triangular shares	SF.Duofix	Yes			No	
Stone collector in T-piece	SF.STS	Yes			No	
Lever slide after T-piece (2 units)	SF.HA	Yes			No	
Knuckle coupling on inlet bend (2 units)	SF.STZ	Yes			No	
LED lighting KIT incl. cable	SF.BL	Yes			No	
Electric locking system	SF.ESV	Yes			No	
Coupling triangle, unfinished (tanker end)	SF.KD	Yes			No	
T-piece (part number acc. to list)						

Attachment

Attachment by Brunner Spezialwerkstatt AG	Yes	No
---	-----	----

Information on the tanker

Manufacturer					
Type					
Vehicle identification number (VIN)					
Tanker volume					
Tyre size					
Tyre manufacturer					
Number of axles	Single axle		Tandem		Tridem
Attachment system present	Yes			No	
Coupling system	M	F	Ital. system	Bauer system	Perrot system
Nominal diameter of coupling					

Contact details

	Customer	Dealer
Company		
Surname		
First name		
Address		
Postcode		
Town		
Telephone number		
E-mail		

Operating data

Annual spread rate		
Area of application	Grassland	Arable land

Attach one photograph taken from the side and one taken from behind!

Remarks

Place & date	